

## T-HANDLE HEX KEYS



### Description :

- ISO 2936 - DIN 911
- Ergonomic T-handle allows effective use of either end of wrench.
- Silicon steel.
- Finish: black phosphate.

### B [mm] :

10

### C [mm] :

52

### L1 [mm] :

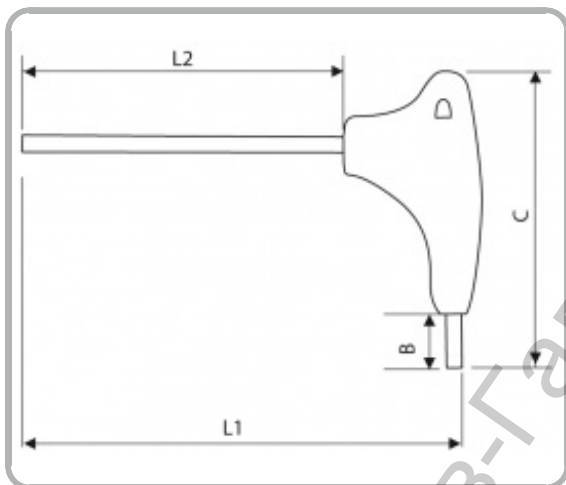
127

### L2 [mm] :

100

### Conditioning :

5



### References :

<b>EXPERT</b>	<b>EAN</b>	<b>A [mm]</b>	<b>[g]</b>
<b><u>E113977</u></b>	3258951139776	2,5	20
<b><u>E113978</u></b>	3258951139783	3	21
<b><u>E113979</u></b>	3258951139790	4	47
<b><u>E113980</u></b>	3258951139806	5	60
<b><u>E113981</u></b>	3258951139813	6	112
<b><u>E113982</u></b>	3258951139820	8	165
<b><u>E113983</u></b>	3258951139837	10	233
<b><u>E121204</u></b>	3258951212042	2	18

Ташев-Галвинг ООД  
[www.tashev-galving.com](http://www.tashev-galving.com)